

SMI V-200-SMI-H6

1. Description

Valve complete with base-plate, 3 fittings and NO pilot, for blow/ preblow function.
Replacement Parker Lucifer part n°321F35

2. Included **3. Advantages**

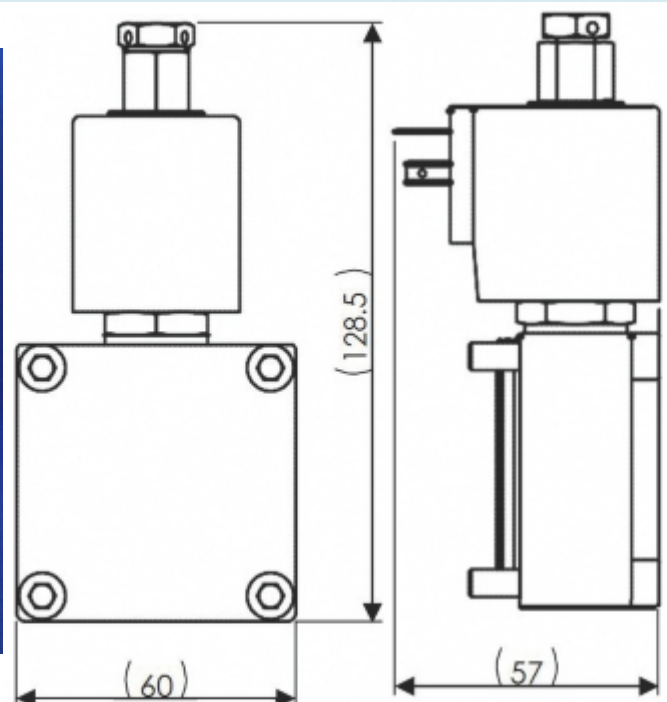
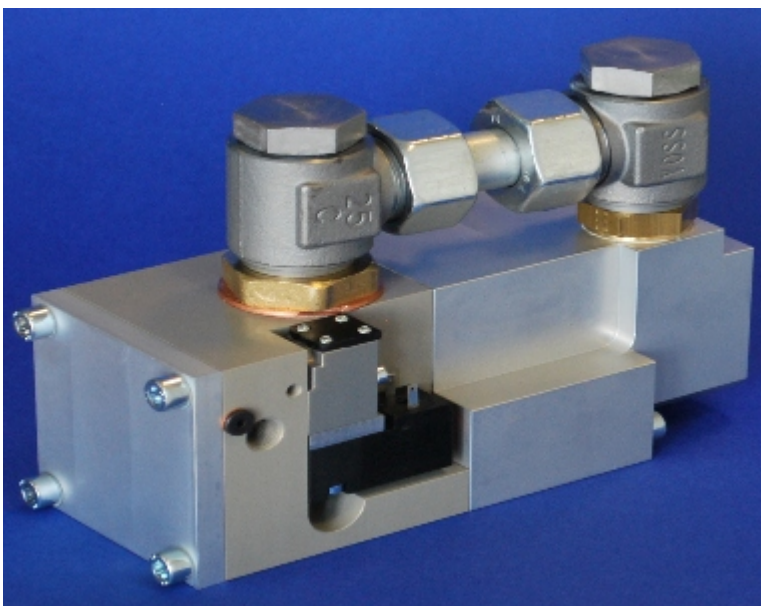
- Base plate
- 3 fittings
- NO pilot

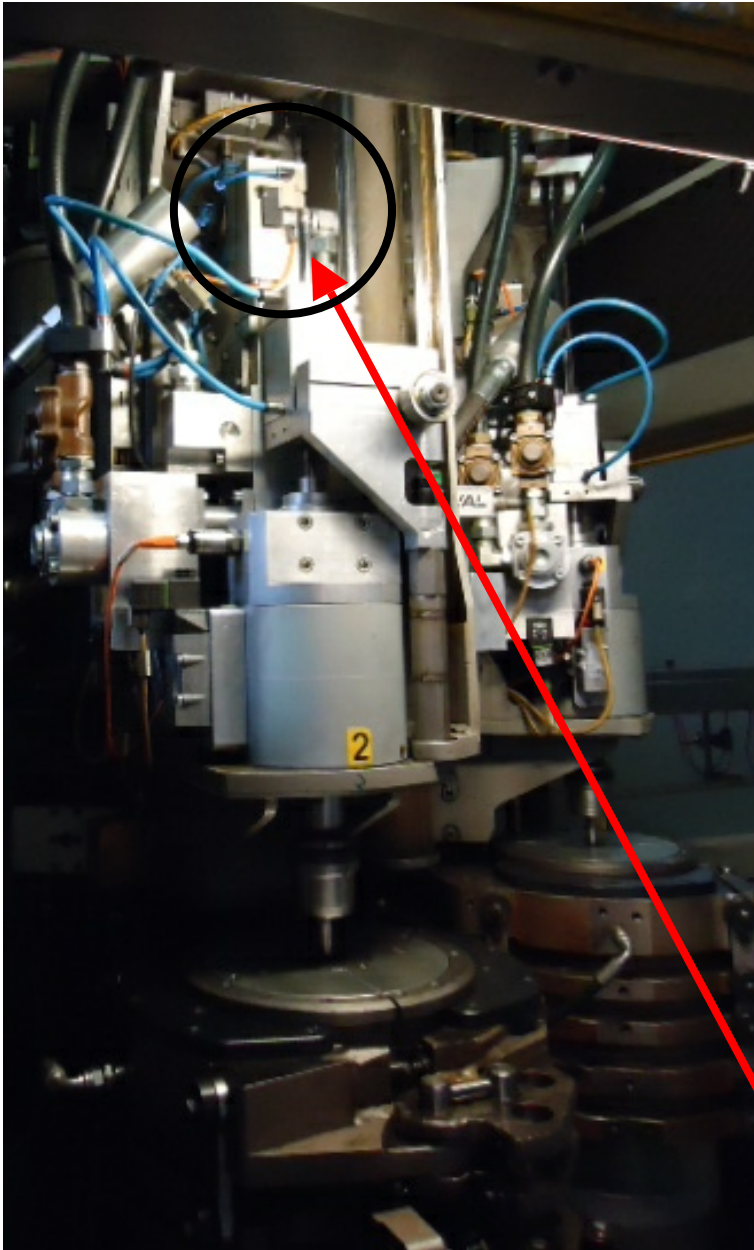
- + Easy replacement**
- + Swiss quality**
- + Original Technoplan Engineering spare parts**

4. Technical Data

Reference	V-200-SMI-H6
Function	Complete valve
Operating pressure	40 bar
Pilot pressure	-
Materials	Valve on base plate : Coated aluminium & plastic
Operating temperature	
Pilot valve	NO
Net-Weight	2.526 kg

5. Picture & Dimensions (mm)





**Example of TP V-200-SMI-H6
inside SMI machine**

